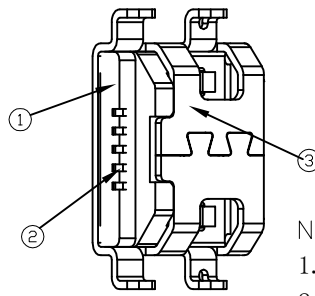
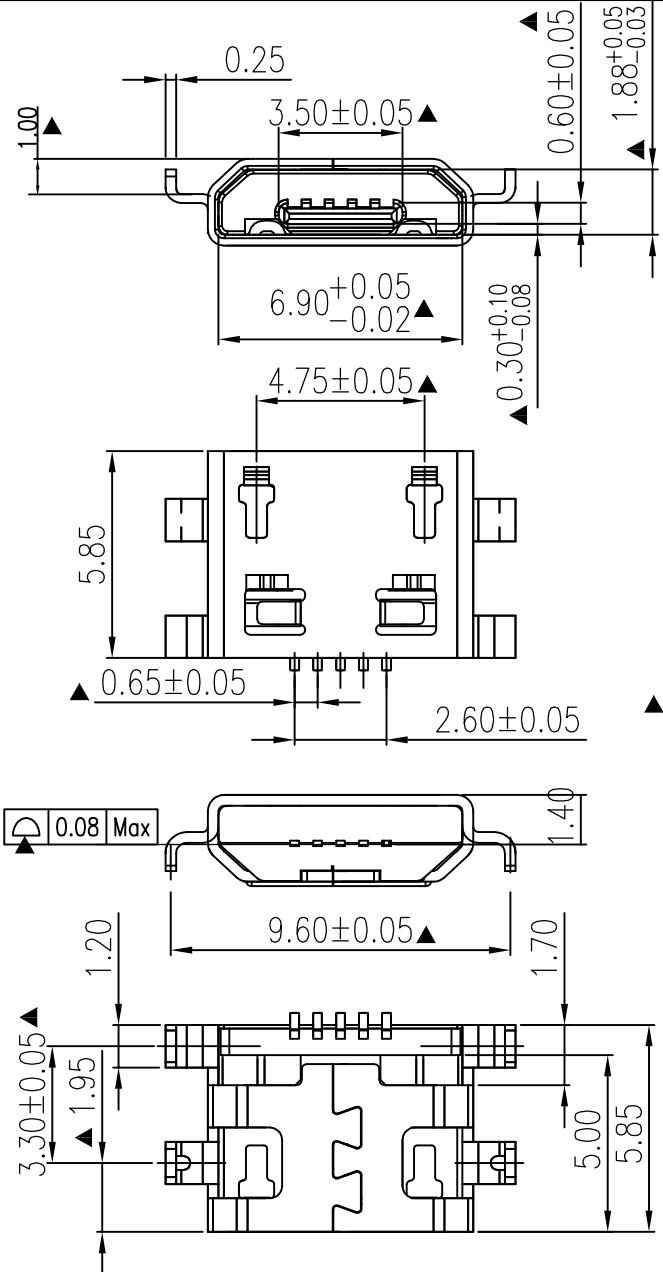
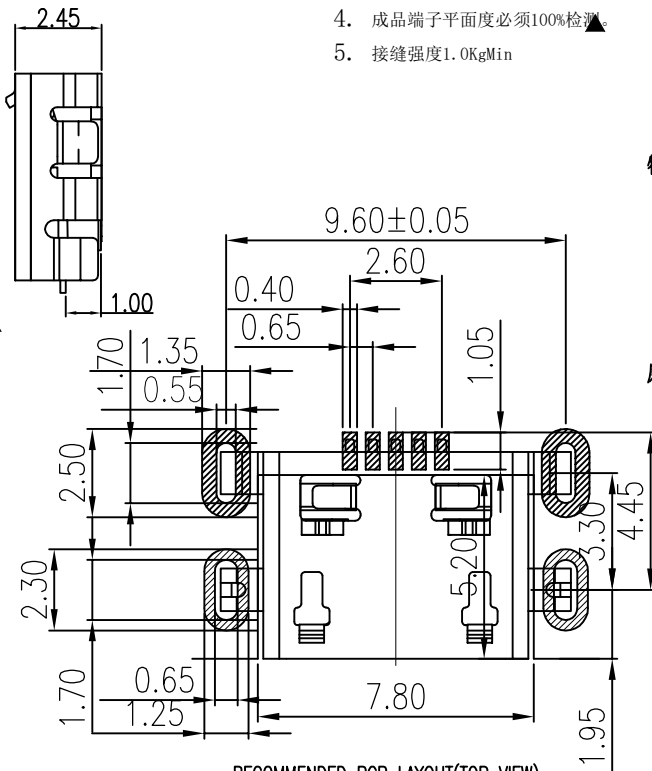


REV.	ECN.NO.	MODIFY.CONTENT	DATE
A		NEW	2013/3/29



NOTES:

1. 成品功能要求面不可有端子压伤及塑胶毛边。
2. 标有“▲”记号者为重点检验尺寸。
3. 未标注尺寸公差为依自由公差为准。
4. 成品端子平面度必须100%检测▲
5. 接缝强度1.0KgMin



RECOMMENDED PCB LAYOUT(TOP VIEW)  
GENERAL TOLERANCES:±0.05

规格说明: Specifications:

电气特性: Electrical:

1. 额定电流: Current Rating  
1.8A/contact terminal
2. 额定电压: Voltage Rating  
30V DC
3. 接触电阻: Contact Resistance  
50 milliohms MAX
4. 耐压: Dielectric Withstanding Voitage:  
300 V AC AT Sea Level
5. 绝缘电阻: Insulation Resistance:  
100MEGA ohms MIN

物理性能: Mechanical:

1. 插拔力: Cnnector Mate and Unmate Force  
Mate force:3.0kgf(MAX)  
Unmate force:0.7kgf(MIN)
2. 机械寿命: 5000次

原材料: Material:

1. 塑胶: Housing:  
Hing Temperature Thernmaplastics,  
UL 94V-0 LCP Black
2. 端子: 磷铜 C5191 EH
3. 外壳: Shell: H65 EH

电镀: Finish:

1. 端子: Contact: Plated Gold in Mating Area;  
Tin On Solder Talls
2. 外壳: Shell:  
Nickel Plating (能过炉自动上锡)

GENERAL TOLERANCE		DWG NO.	JYSA0508-001	APPD:	WIND	Scale	1:1
X.±0.45	x.'±5'	Title	MICRO USB 5PIN DIP TYPE INSERT 1.00MM	CHKD:		UNIT	mm
.X±0.35	.x'±2'			DR:			
.XX±0.25	.xx'±1'	Part NO.	JYS-USB100-029	Date	2013/03/29		
.XXX±0.15	.xxx'±0.5'						
SHEET	1/1			 <b>JYSCONN</b> Shenzhen <b>JYSCONN Electronics Co., LTD.</b>			