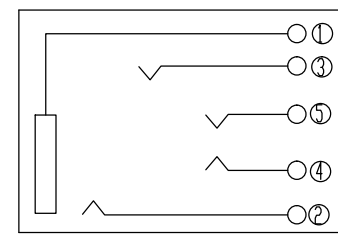
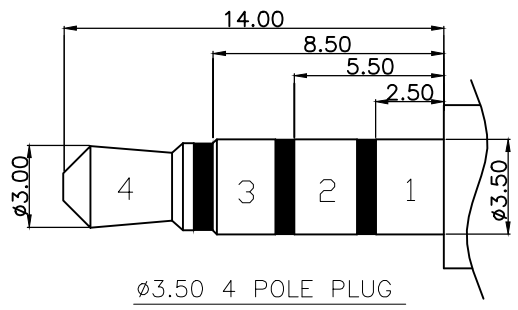
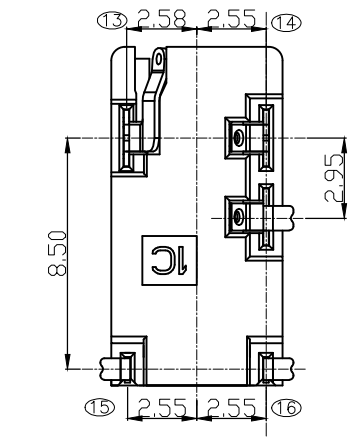
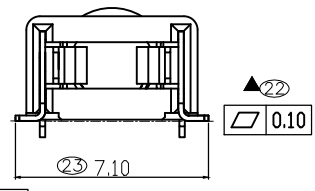
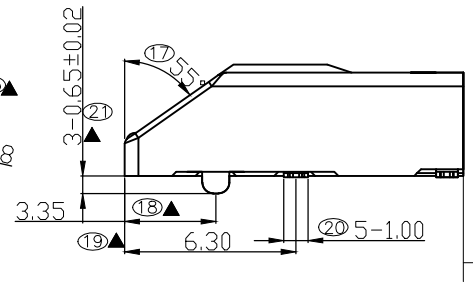
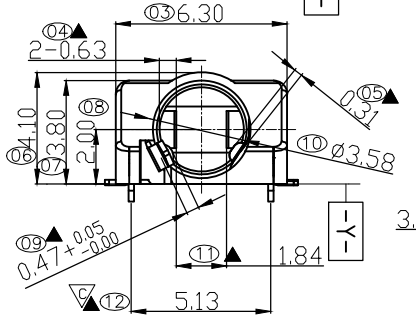
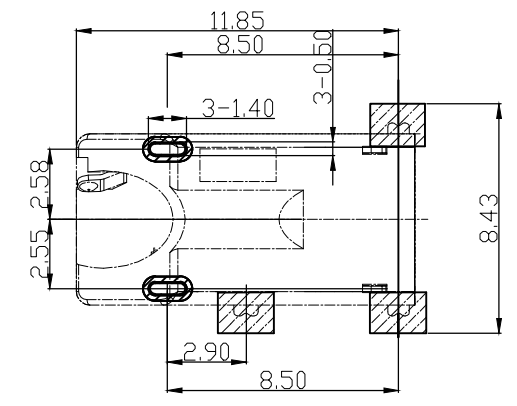
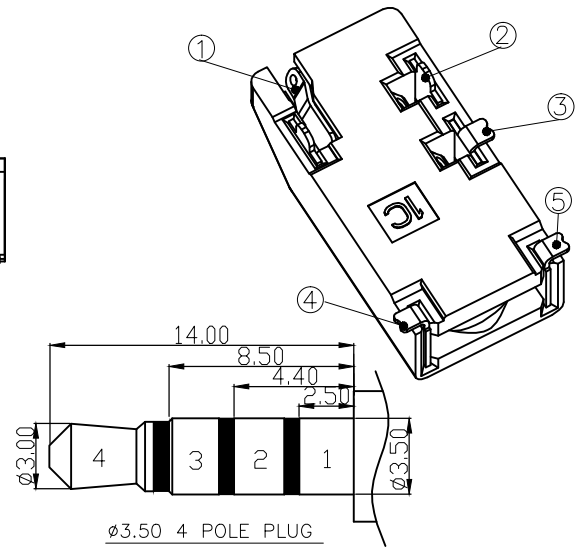
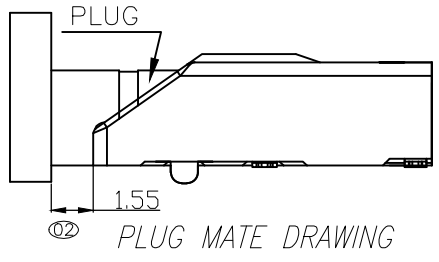
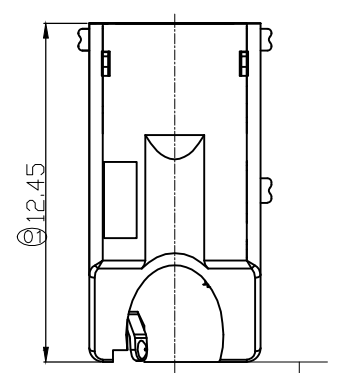


REV.	ECN.NO.	MODIFY.CONTENT	DATE
A		NEW	2019/10/21



- NOTES:
- MATERIAL:
 - HOUSING: UL94V-0,COLOR: BLACK
 - CONTACT: SUS ALLOY
 - PLATING:
 - CONTACTS PLATING: SEE ORDERING INFORMATION
 - RATING
 - OPERATING VOLTAGE: 30VAC/DC.
 - CURRENT RATING: 0.5A AC/DC.
 - OPERATING TEMPERATURE: -25°C~+85°C

GENERAL TOLERANCE		DWG NO.	JYSA0528-001	APPD:	WIND	Scale	1:1
X.±0.45	x.'±5'	Title	ø3.5 5PIN 斜口 3.8H DIP+SMT PHONE JACK	CHKD:		UNIT	mm
.X±0.35	.x'±2'			DR:			
.XX±0.25	.xx'±1'	Part NO.	JYS-JK380-042	Date	2019/10/21		
.XXX±0.15	.xxx'±0.5'					JYSCONN Electronics Co., LTD.	
SHEET	1/1						