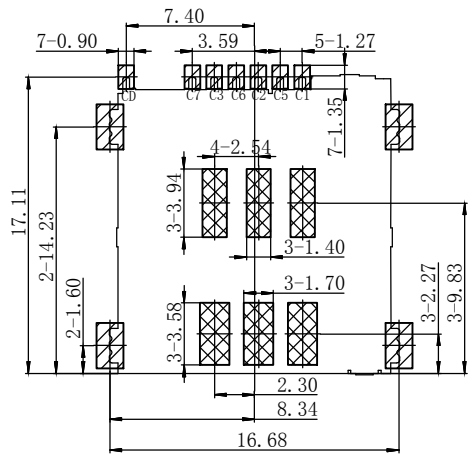
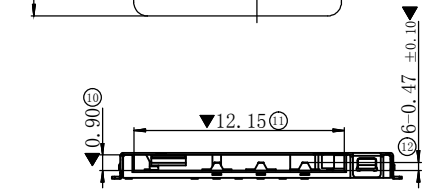
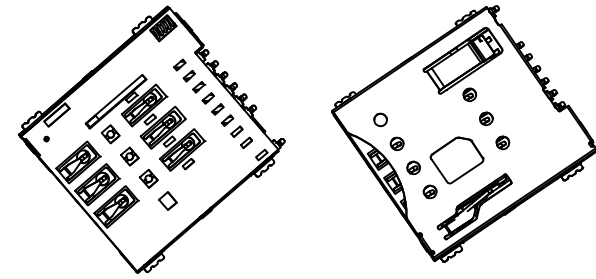
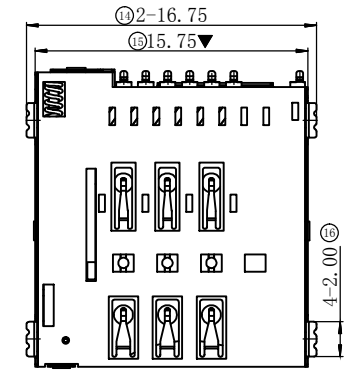
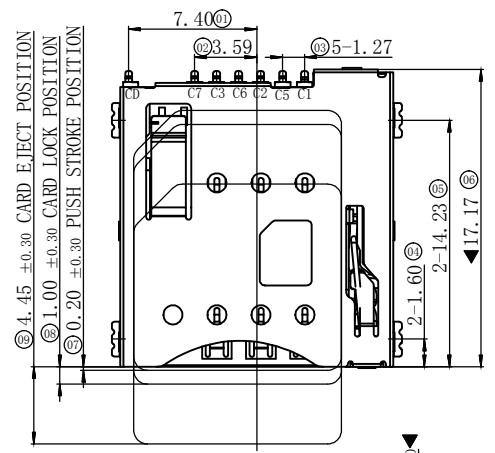


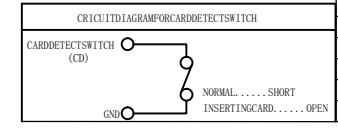
REV.	ECN.NO.	MODIFY.CONTENT	DATE
A		NEW	2016/05/29



RECOMMENDED PCB LAYOUT
TOLERANCE: ±0.05

- SMT SOLDER AREA
- COPPER RESTRICTED AREA
- 1. TOUCH AREA OF CONTACT TIPS NO ELECTRICAL FUNCTION
- 2. NO FIRST PCB LAYOUT CIRCUITS IN THE AREA

PIN NO.	ASSIGNMENT
C1	VCC
C2	RST
C3	CLK
CD	Detect Switch
C5	GND
C6	VPP
C7	I/O

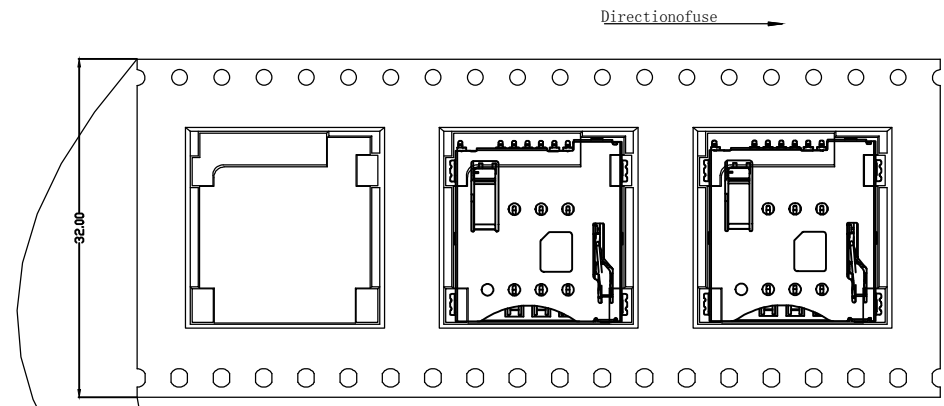


NOTES:

1. MATERIAL:
HOUSING: High Temperature Thermoplastic
Terminal: Copper Alloy
Shell: Stainless Steel
2. PLATING:
Terminal: 50u" Ni UNDERPLATED OVERALL
G/FPLATED ON CONTACT AREA
G/FPLATED ON SOLDER AREA
Shell: 30u" Ni UNDERPLATED OVERALL
G/FPLATED ON CONTACT AREA AND SOLDER AREA
3. TECHNICAL SPECIALITY:
RATED VOLTAGE: 30VAC MAX.
CURRENT RATING: 0.5A MAX.
INSULATION RESISTANCE: 1000MΩ MIN
CONTACT RESISTANCE: 50MΩ MAX
WITHSTANDING VOLTAGE: 500VAC FOR 1 MINUTES
OPERATING TEMPERATURE: -40°C ~ +85°C Humidity 80% R.H MAX

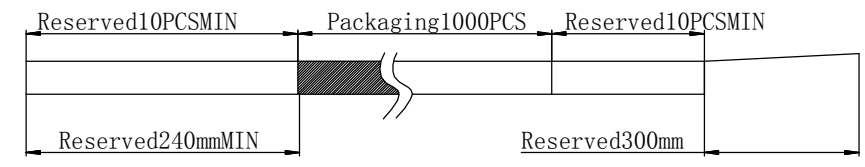
GENERAL TOLERANCE		DWG NO.	JYSA0529-001	APPD:	WIND	Scale	1:1
X.±0.45	x.±5°	Title	1.5H 7PIN PUSH MICRO SIM CARD CONNECIOR	CHKD:		UNIT	mm
.X±0.35	.x'±2°			DR:			
.XX±0.25	.xx'±1°	Part NO.	JYS-SIM150-110	Date	2016/05/29		
.XXX±0.15	.xxx'±0.5°			Shenzhen JYSCONN Electronics Co., LTD.			
SHEET	1/2						

REV.	ECN.NO.	MODIFY.CONTENT	DATE
A		NEW	2016/05/29

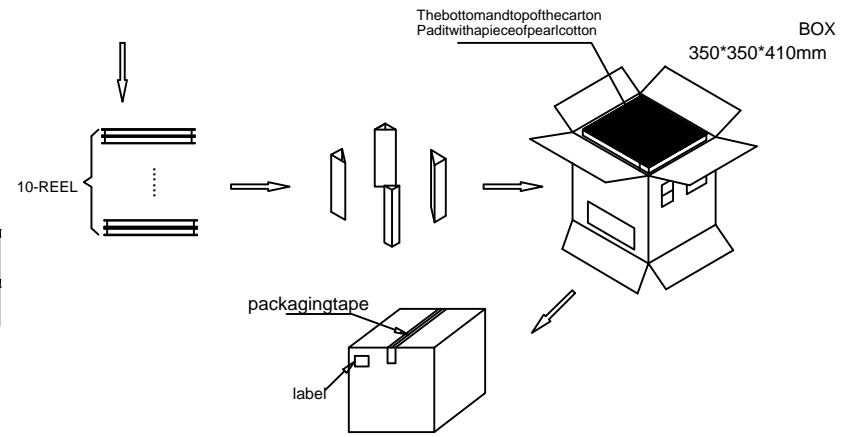
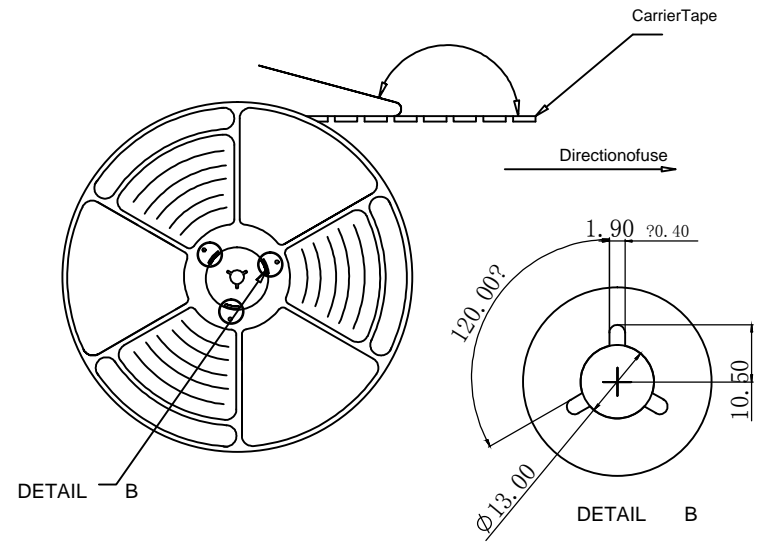


NOTES:

- 1、Packing quantity per plate: 1000PCS/Plate
- 2、Loading and packing method



- 3、Total packaging: 1000PCS/Box



GENERAL TOLERANCE		DWG NO.	JYSA0529-001	APPD:	WIND	Scale	1:1
X.±0.45	x.±5'	Title	1.5H 7PIN PUSH MICRO SIM CARD CONNECIOR	CHKD:		UNIT	mm
.X±0.35	.x'±2'			DR:			
.XX±0.25	.xx'±1'	Part NO.	包装图	Date	2016/05/29		
.XXX±0.15	.xxx'±0.5'			Shenzhen JYSCONN Electronics Co., LTD.			
SHEET	2/2						