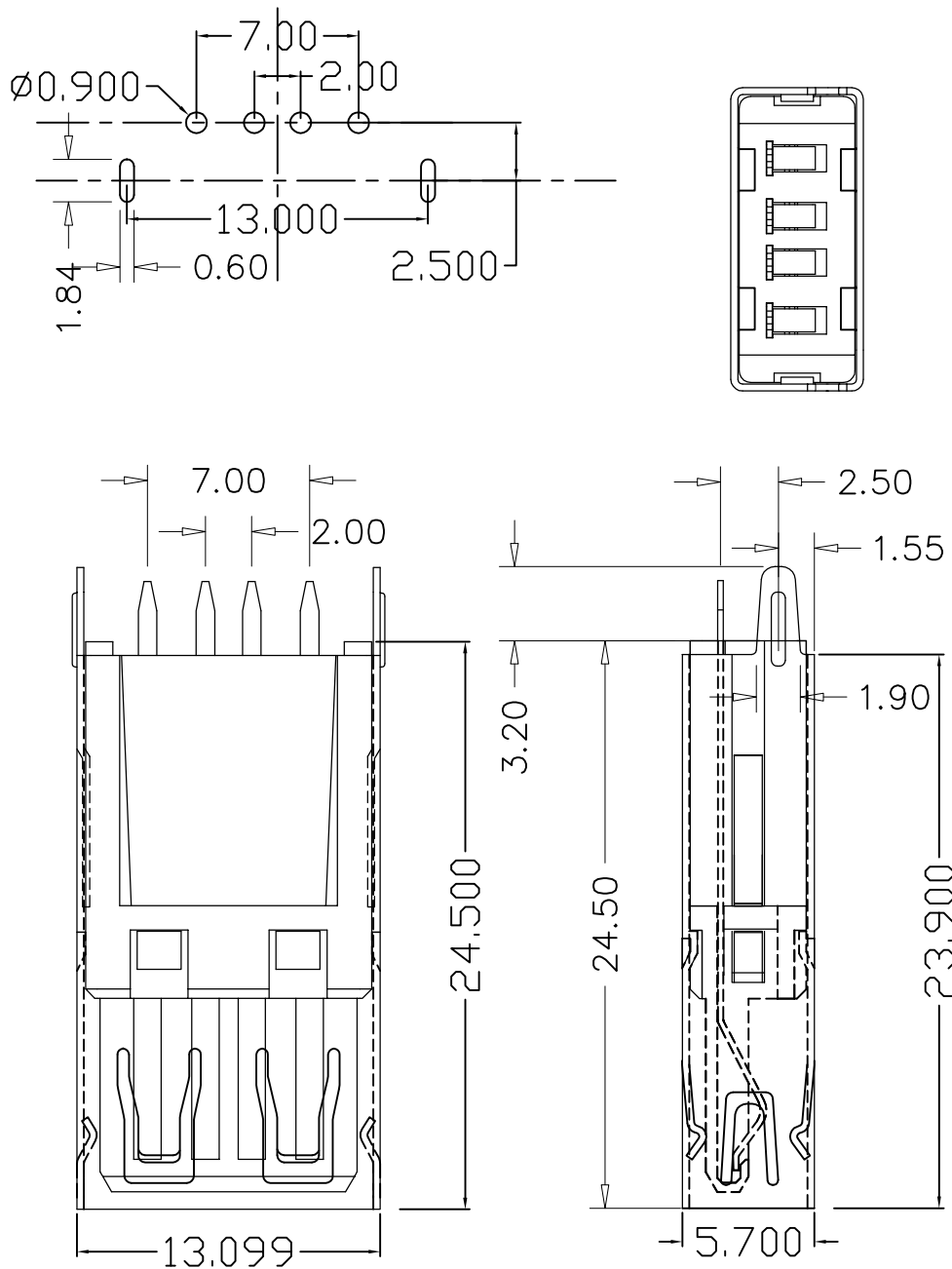


REV.	ECN.NO.	MODIFY.CONTENT	DATE
A		NEW	2011/10/31



规格说明: Specifications:

1. 额定电流: Current Rating
1.5A/contact terminal
2. 额定电压: Voltage Rating
30V DC
3. 接触阻抗: Contact Resistance
30 milliohms MAX
4. 耐电压: Dielectric Withstanding Voltage:
500 V AC AT Sea Level
5. 绝缘阻抗: Insulation Resistance:
1000MEGA ohms MIN

物理性能: Mechanical:

1. 插拔力: Connector Mate and Unmate Force
Mate force: 3.57kgf(MAX)
Unmate force: 1.02kgf(MIN)
2. 端子保持力: Terminal Retention
1.0kgf(MIN)

1. 塑胶: Housing:

Hing Temperature Tnermaplastics,

2. 端子: Contact: Copper Alloy C2680

3. 外壳: Shell: Copper Alloy C2680/SPCC

1. 端子: Contact: Plated Gold in Mating Area;
Tin On Solder Talls

端子四周镀50U”(MIN)锡, 镀金区域镀100-200U”镀金1U”

铜壳四周镀80U”(MIN)锡

Nickel Plating

GENERAL TOLERANCE		DWG NO.	JYSA0909-001	APPD:	WIND	Scale	1:1
X.±0.45	x.'±5'	Title	USB A/F单层直插24.5 直边直脚	CHKD:		UNIT	mm
.X±0.35	.x'±2'			DR:			
.XX±0.25	.xx'±1'	Part NO.	JYS-USB245-042	Date	2011/10/31		
.XXX±0.15	.xxx'±0.5'						
SHEET	1/1			JYSCONN Shenzhen JYSCONN Electronics Co., LTD.			