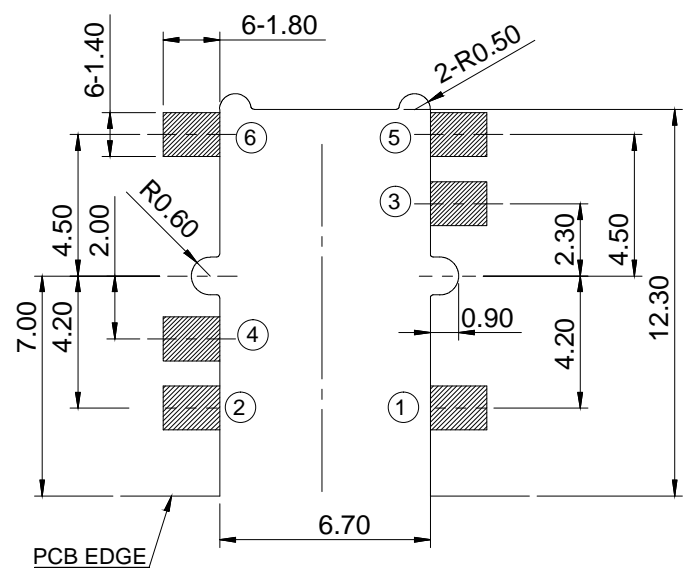
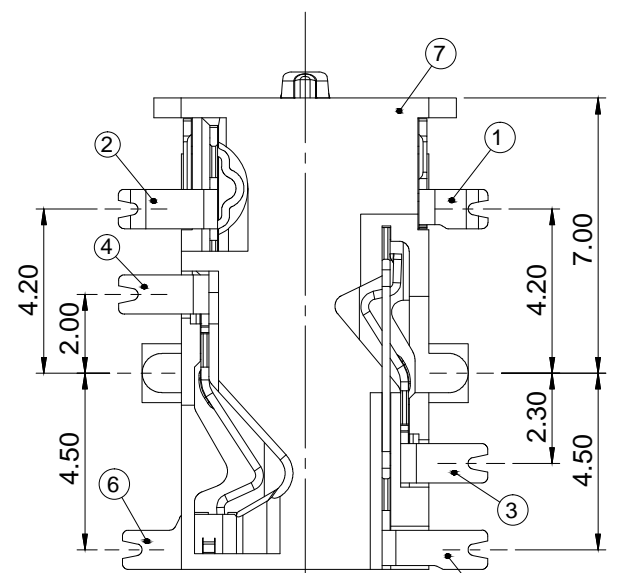
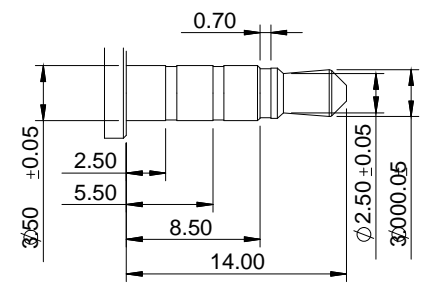
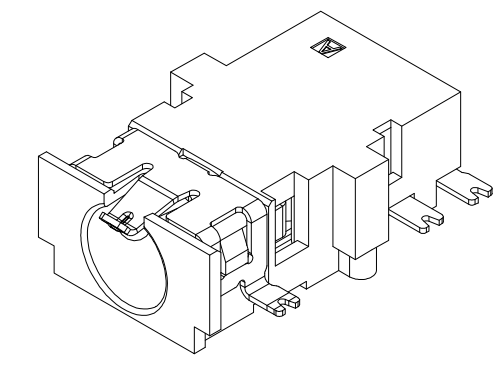
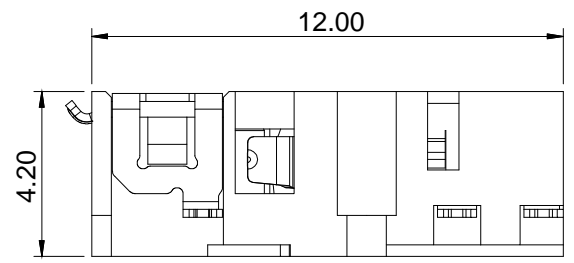
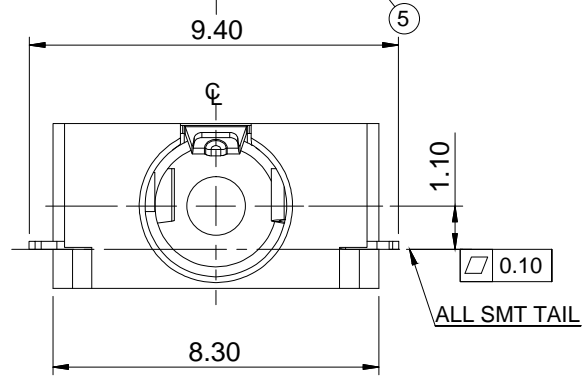


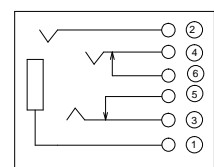
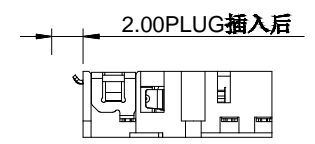
REV.	ECN.NO.	MODIFY.CONTENT	DATE
A		NEW	2016/10/31



RECOMMENDED PCB LAYOUT(TOP VIEW)
(GENERAL TOLERANCE ±0.05)



∅3.5mm 4 POLE PLUG
DETAIL DRAWING(2:1)



SCHMATIC

- NOTES:**
 1. CONTACT CURRENT RATING: 1A.
 2. CONTACT RESISTANCE: 50 mΩ
 3. INSULATION RESISTANCE: 100M
 4. DIELECTRIC WITHSTANDING: 500V AC MIN.;
 5. DURABILITY: 5,000 CYCLES MIN.;
 6. CONNECTOR MATING FORCES:
 29.4N (3.00Kgf) MAX.;
 7. CONNECTOR UNMATING FORCES:
 2.94N(0.30Kgf) MIN.;

NO.	DESCRIPTION	MATERIAL	REMARKS	QTY
7	HOUSING	HIGH TEMP	BLACK	—
6	TERMINAL 6	COPPER ALLOY	Au PLATED	—
5	TERMINAL 5	COPPER ALLOY	Au PLATED	—
4	TERMINAL 4	COPPER ALLOY	Au PLATED	—
3	TERMINAL 3	COPPER ALLOY	Au PLATED	—
2	TERMINAL 2	COPPER ALLOY	Au PLATED	—
1	TERMINAL 1	COPPER ALLOY	Au PLATED	—

GENERAL TOLERANCE	DWG NO.	JYSA0528-001	APPD:	WIND	Scale	1:1
X.±0.45	x.'±5'	Title	CHKD:	DR:	UNIT	mm
.X±0.35	.x'±2'					
.XX±0.25	.xx'±1'	Part NO.	Date	2016/10/31		
.XXX±0.15	.xxx'±0.5'					
SHEET	1/1	JYSCONN Shenzhen JYSCONN Electronics Co., LTD.				