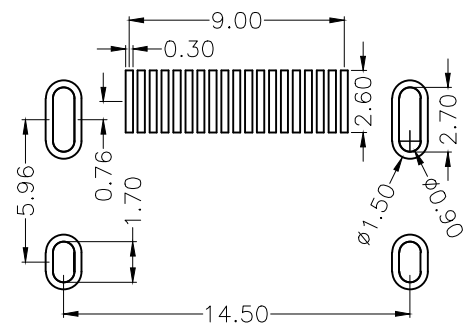
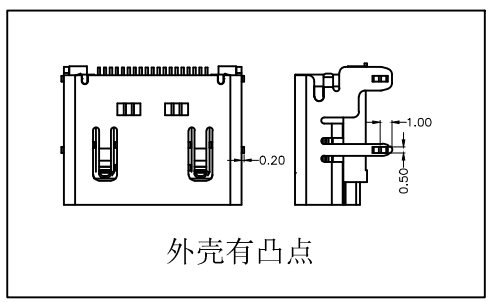
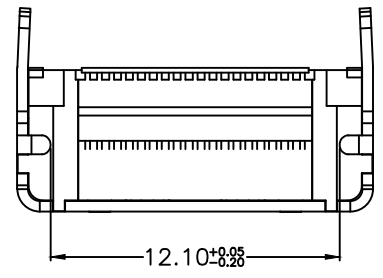
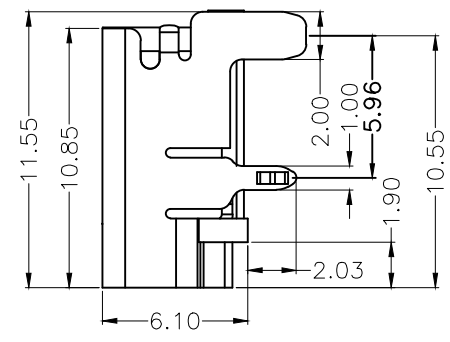
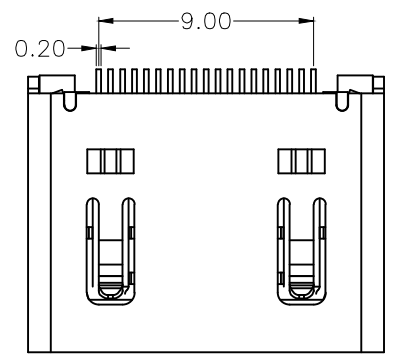


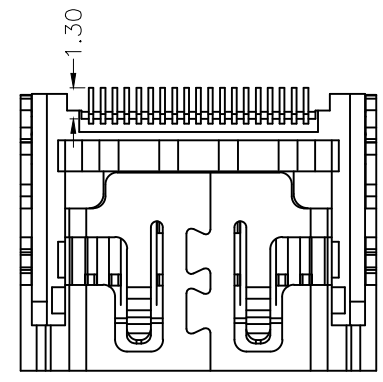
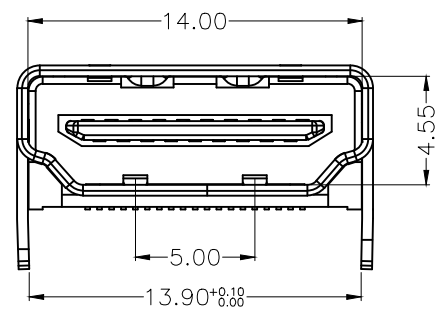
REV.	ECN.NO.	MODIFY.CONTENT	DATE
A		NEW	2015/9/29



RECOMMENDED P.C.B HOLE LAYOUT
COMPONENT SIDE VIEW(TOLERANCE: +/-0.05)

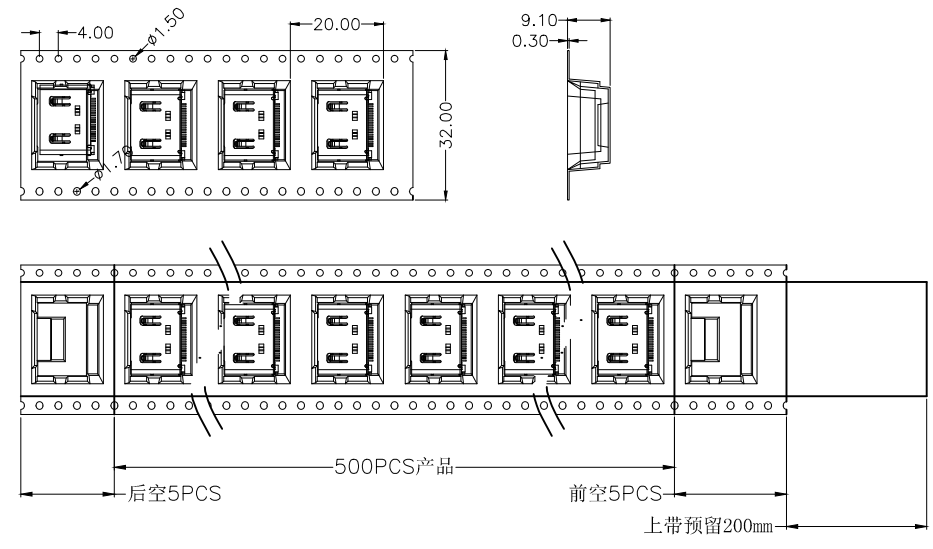


- NOTES:
- MATERIAL:
HOUSING: HIGH TEMPERATURE THERMOPLASTIC UL94V_0,COLOR:BLACK.
CONTACT: COPPER ALLOYS.
COVER: COPPER ALLOYS OR STEEL.
 - PLATING:
UNDERPLATE: NICKEL.
CONTACT AREA: GOLD OVER NICKEL.
SOLDER AREA: TIN OVER NICKEL.
 - MULTIMEDIA CARD COMPATIBLE

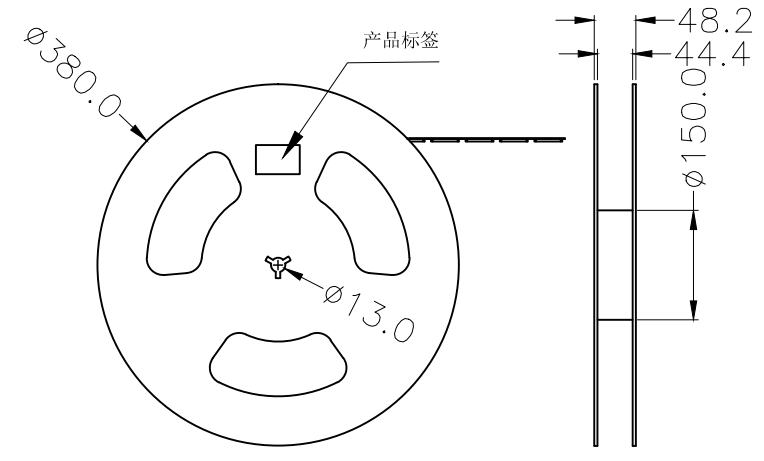


GENERAL TOLERANCE		DWG NO.	JYSA0929-008	APPD:	WIND	Scale	1:1
X.±0.45	x.±5°	Title	HDMI 19PIN A/F CONN 普通型 SMT TYPE	CHKD:		UNIT	mm
.X±0.35	.x'±2°			DR:			
.XX±0.25	.xx'±1°	Part NO.	JYS-HD610-009	Date	2015/09/29		
.XXX±0.15	.xxx'±0.5°			Shenzhen JYSCONN Electronics Co., LTD.			
SHEET	1/2						

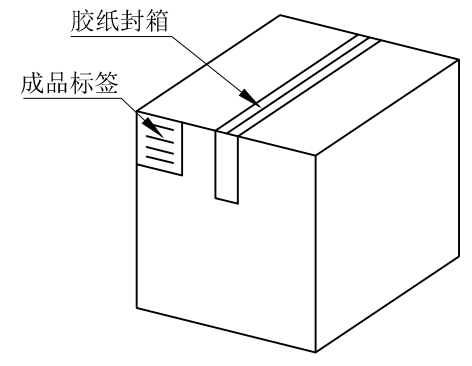
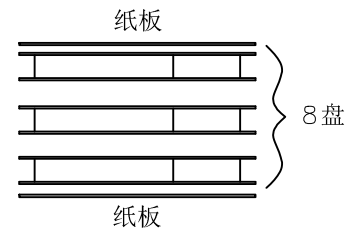
REV.	ECN.NO.	MODIFY.CONTENT	DATE
A		NEW	2015/9/29



NO.1

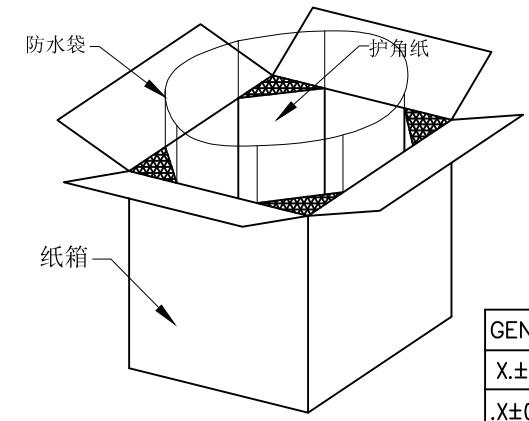


NO.2



纸箱规格: 390*390*385

NO.4



NO.3

1. 材质要求:

- 1.1 纸箱的材质要求为K=K; 外形尺寸为39*39*38.5CM;
- 1.2 卷盘的材质为PS; 卷盘的外形尺寸为 $\phi 380 \times 48.2$;
- 1.3 卷带的材质为PS; 卷带的外形尺寸为10200*32.00*9.10mm

2. 包装要求:

- 2.1 将卷带放入包装机后, 前空5PCS, 后放产品500PCS, 再后空5PCS; 上带留200MM长度。
- 2.2 将包装好的产品从包装机上取下并包装好;
- 2.3 把累叠好的8盘(共计4Kset), 用防水袋包装内附干燥剂, 上下放纸板放入纸箱内;

备注: 把包装好的成品打包封箱, 并在纸箱外贴上标签

- 1. 若有未装满之零数, 必须用泡棉塞满。
- 2. 针对于包装方式可根据客户要求包装。

GENERAL TOLERANCE		DWG NO.	JYSA0929-008	APPD:	WIND	Scale	1:1
X.±0.45	x.±5°	Title	HDMI 19PIN A/F CONN 普通型 SMT TYPE	CHKD:		UNIT	mm
.X±0.35	.x'±2°			DR:			
.XX±0.25	.xx'±1°	Part NO.	包装图	Date	2015/09/29		
.XXX±0.15	.xxx'±0.5°			Shenzhen			
SHEET	2/2			JYSCONN Electronics Co., LTD.			