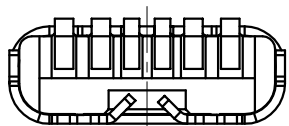
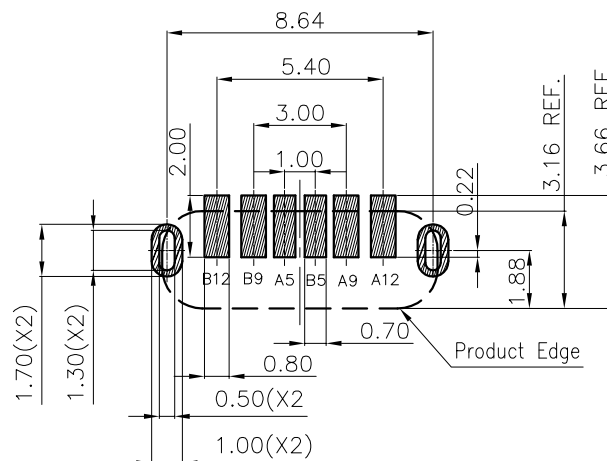
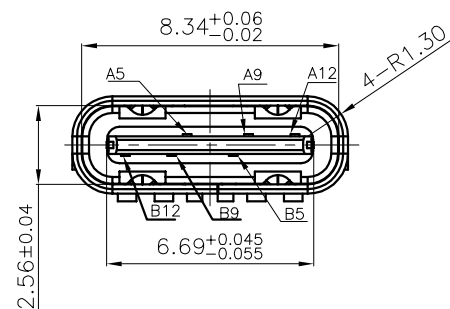
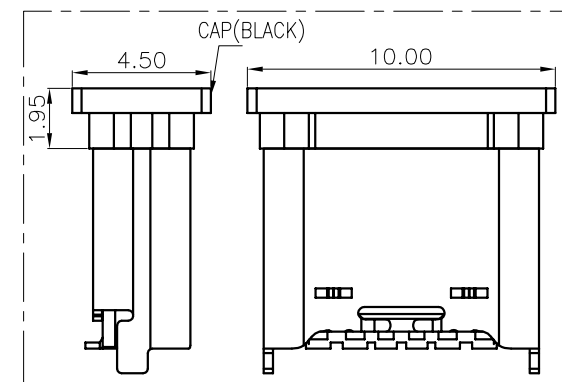
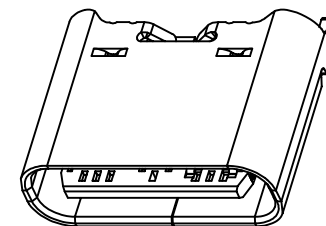
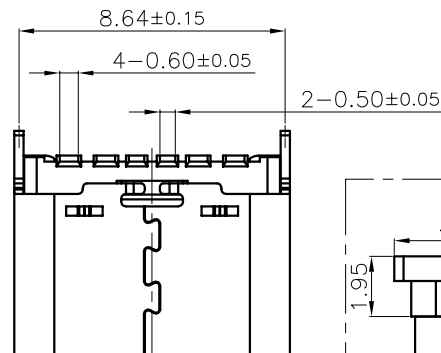
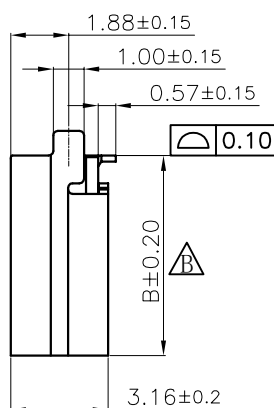
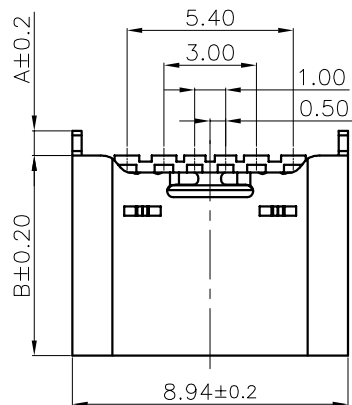


REV.	ECN.NO.	MODIFY.CONTENT	DATE
A		NEW	2020/06/09



A5	CC1	B5	CC2
A9	VBUS	B9	VBUS
A12	GND	B12	GND
PIN	SIGNAL NAME	PIN	SIGNAL NAME



Recommend PCB Layout  
(Tol:±0.05,T=1.0±0.05mm)

DIM A	DIM B	G/F(半金雾锡)	3u"(半金雾锡)	DESCRIPTION
0.80	7.35	JYS-USB735-072	JYS-USB735-073	TPC6Pin 7.35H直立式全包平贴, 塑胶 LCP黑色, 端子磷铜 外壳SUS304
1.30	7.35	JYS-USB735-074	JYS-USB735-075	TPC6Pin 7.35H直立式全包平贴, 塑胶 LCP黑色, 端子磷铜 外壳SUS304
0.80	6.80	JYS-USB680-068	JYS-USB680-069	TPC6Pin 6.80H直立式全包平贴, 塑胶 LCP黑色, 端子磷铜 外壳SUS304
1.30	6.80	JYS-USB680-070	JYS-USB680-071	TPC6Pin 6.80H直立式全包平贴, 塑胶 LCP黑色, 端子磷铜 外壳SUS304
0.80	6.50	JYS-USB650-064	JYS-USB650-065	TPC6Pin 6.50H直立式全包平贴, 塑胶 LCP黑色, 端子磷铜 外壳SUS304
1.30	6.50	JYS-USB650-066	JYS-USB650-067	TPC6Pin 6.50H直立式全包平贴, 塑胶 LCP黑色, 端子磷铜 外壳SUS304
0.80	5.50	JYS-USB550-060	JYS-USB550-061	TPC6Pin 5.50H直立式全包平贴, 塑胶 LCP黑色, 端子磷铜 外壳SUS304
1.30	5.50	JYS-USB550-062	JYS-USB550-063	TPC6Pin 5.50H直立式全包平贴, 塑胶 LCP黑色, 端子磷铜 外壳SUS304
0.80	5.00	JYS-USB500-056	JYS-USB500-057	TPC6Pin 5.0H直立式全包平贴, 塑胶 LCP黑色, 端子磷铜 外壳SUS304
1.30	5.00	JYS-USB500-058	JYS-USB500-059	TPC6Pin 5.0H直立式全包平贴, 塑胶 LCP黑色, 端子磷铜 外壳SUS304

**SPECIFICATION:**

**1. Material:**

HOUSING&MOLDING:HIGH TEMPERATURE RESISTANT PLASTIC, UL94 V-0  
CONTACTS:COPPER ALLOY  
SHELL:SUS304-1/2H, T=0.30

**2. Mechanical:**

- 2.1.Mating force:5~20Nf Max.;
- 2.2.Unmating force:6~20Nf Min.;
- 2.3.Durability:3000 Cycles;

**3. Electrical:**

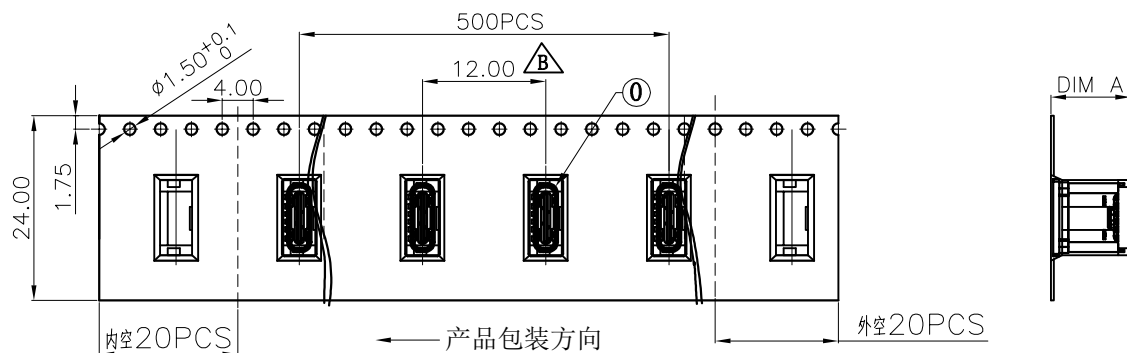
- 3.1.Current Rating:3A Max.;
- 3.2.Voltage Rating:20V Max.;
- 3.3.Dielectric Withstanding volage:100VAc;
- 3.4.Contact resistance:40m Ohms Max.;
- 3.5.Insulation Resistance:100M Ohms Min.;

**4. Environmental:**

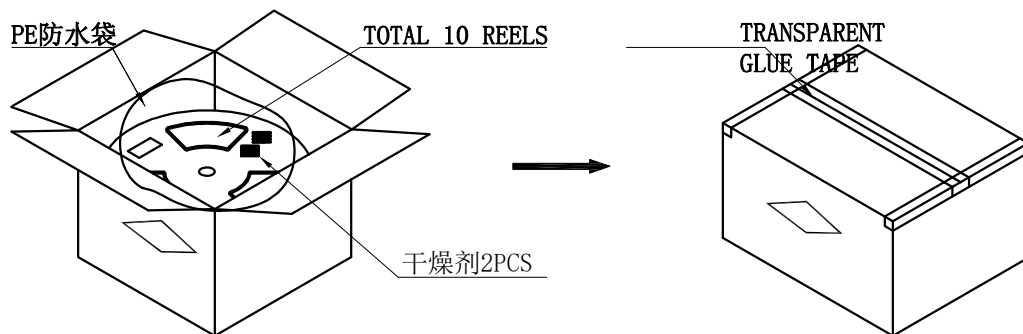
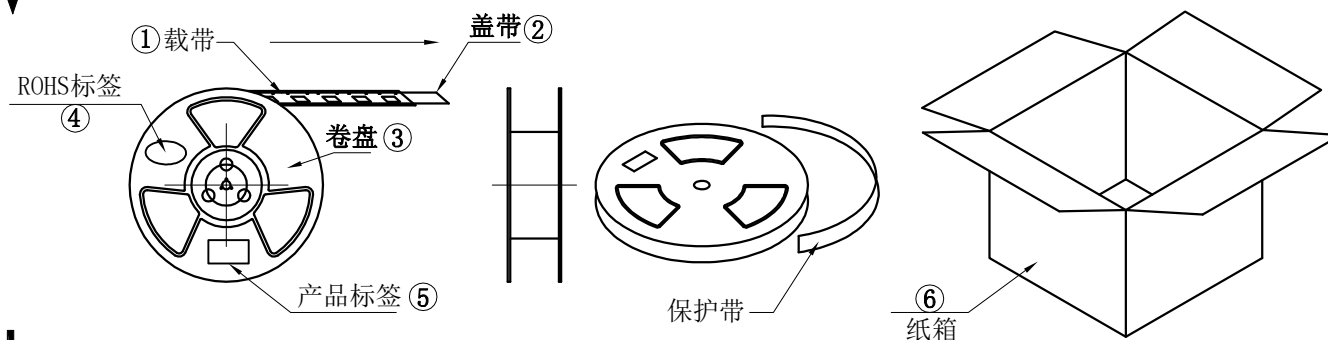
- 4.1.Operating temperature:-40° C~+85° C;
- 4.2.Wetting Temperature:265±5° C, 5±0.5s

GENERAL TOLERANCE		DWG NO.	JYSA1505-001	APPD:	WIND	Scale	1:1
X.±0.45	x.'±5'	Title	USB TYPE C 6PIN 立贴 母座	CHKD:		UNIT	mm
.X±0.35	.x'±2'			DR:			
.XX±0.25	.xx'±1'	Part NO.	JYS-USBXXX-OXX	Date	2020/06/09		
.XXX±0.15	.xxx'±0.5'						
SHEET	1/2	Shenzhen <b>JYSCONN Electronics Co., LTD.</b>					

REV.	ECN.NO.	MODIFY.CONTENT	DATE
A		NEW	2020/06/09



产品高度	DIM A	包装数量/REEL
7.35	10.35	500PCS
6.80		500PCS
6.50	10.35	500PCS
5.50	8.75	500PCS
5.00	8.15	500PCS



说明:

- 每卷前后各空20PCS, 尾部用美纹胶纸封住;
- 将产品放满盘后, 再卷一圈保护带, 用美纹胶纸将其封住, 并贴上1Pcs物料标签;
- 每10卷盘一叠共5000Pcs装入1个外箱内;
- 在搬运过程中要轻拿轻放;
- 在运输中不可堆放过多(1.8M最高), 不可重压;
- 跌落测试条件:  
成品箱从1.2米高度自由落体(一角三棱六面):  
a. 产品不可跑出下带凹槽;  
b. 产品不可有摔伤, 变形;  
c. 内包装材料不可严重破损.

NO.	NAME	SPEC	Q'TY
①	TYPE C 6P母座成品		
①	载带	W=24mm, T=0.40mm	500PCS/盘
②	盖带	W=21.3mm	
③	卷盘	∅330*100*24.4mm	10PCS/箱
④	ROHS标签		10PCS/箱
⑤	产品标签		10PCS/箱
⑥	纸箱	340*340*310mm	5000PCS/箱

GENERAL TOLERANCE		DWG NO.	JYSA1505-001	APPD:	WIND	Scale	1:1
X.±0.45	x.±5°	Title	USB TYPE C 6PIN 立贴 母座包装图	CHKD:		UNIT	mm
.X±0.35	.x'±2°			DR:			
.XX±0.25	.xx'±1°	Part NO.	JYS-USBXXX-OXX	Date	2020/06/09		
.XXX±0.15	.xxx'±0.5°	Shenzhen <b>JYSCONN Electronics Co., LTD.</b>					
SHEET	2/2						