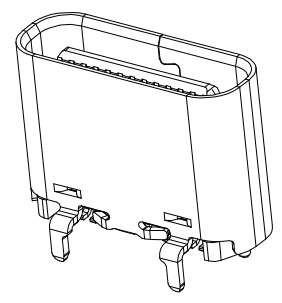
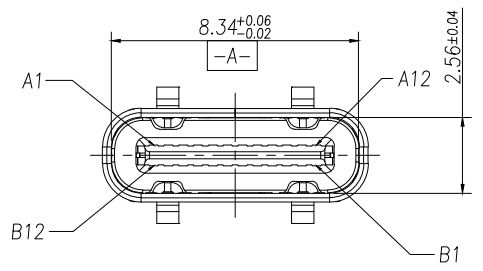
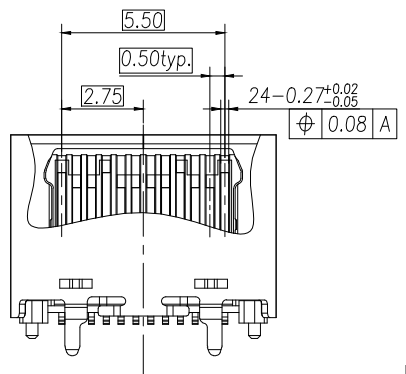
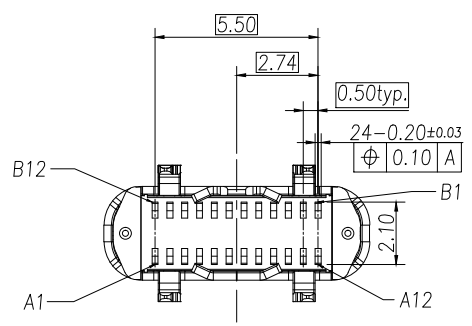
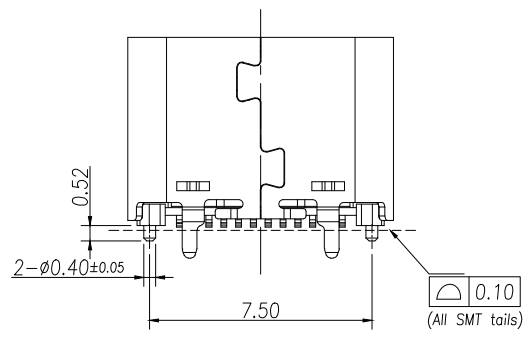
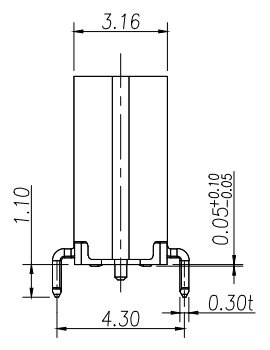
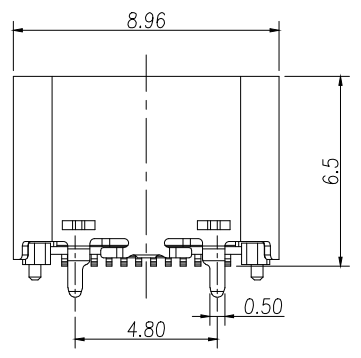


REV.	ECN.NO.	MODIFY.CONTENT	DATE
A0		NEW	2018/09/23



SPECIFICATION:

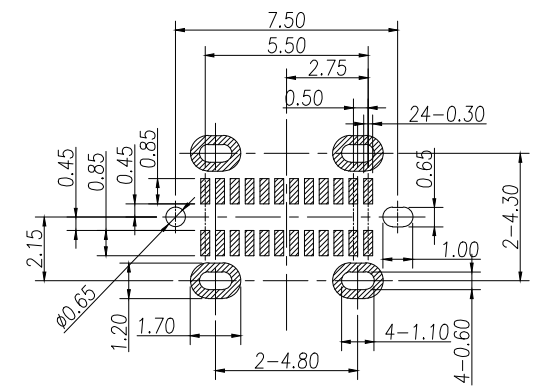
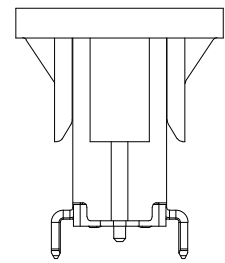
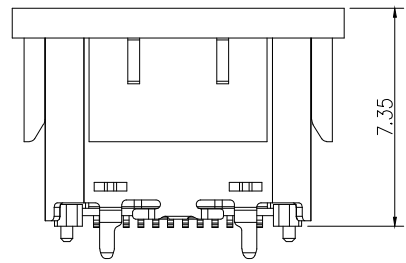
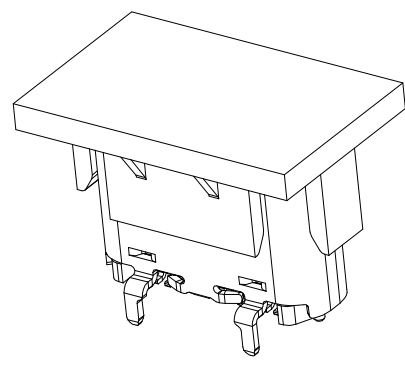
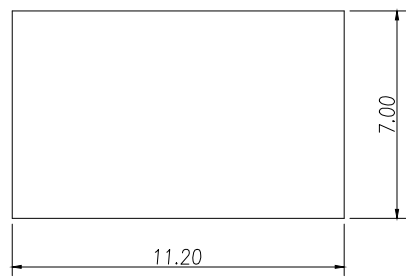
- 1.ELECTRICAL CHARACTERISTICS:
 - 1.1 CURRENT RATING: 5A
 - 1.2 TEMPERATURE RANGE: -40 °C ~ 85 °C
 - 1.3 CONTACT RESISTANCE: 30 MILLIONHM MAX.
 - 1.4 DIELECTRIC WITHSTANDING VOLTAGE: 100 VAC r.m.s
 - 1.5 INSULATION RESISTNACE: 100 MEGOHMS MIN.
- 2.MECHANICAL CHARACTERISTICS
 - 2.1 INSERTION FORCE: 5~20N
 - 2.2 EXTRACTION FORCE: Initial:8~20N;
 - 2.3 DURABILITY:10,000CYCLES
- 3.THE SHELL LENTH IS LESS THAN THE MINIMUM SPECIFIED BY THE USB TYPE C STANDARD.AS SUCH IS CANNOT INDENOENDENTLY BE GUARANTEED TO MEET ALL TYPE C MECHANICAL REQUIREMENTS.



GENERAL TOLERANCE		DWG NO.	APPD:		Scale	1:1
X.±0.45	x.*±5°	Title	USB TYPE C FEMALE,VERTICAL TYPE SHELL H6.50mm	CHKD:	UNIT	mm
.X±0.35	.x*±2°			DR:		
.XX±0.25	.xx*±1°	Part NO.	JYS-USB650-103	Date		2018/09/23
.XXX±0.15	.xxx*±0.5°	Shenzhen		JYSCONN Electronics Co., LTD.		
SHEET	1/3					

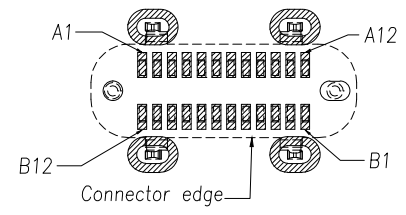
REV.	ECN.NO.	MODIFY.CONTENT	DATE
A0		NEW	2018/09/23

ASSEMBLY CAP



P.C.B LAYOUT VIEW

TOLERANCE ± 0.05



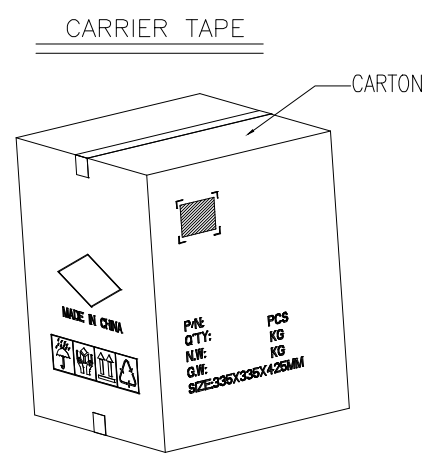
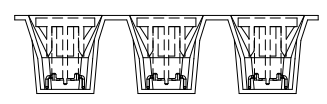
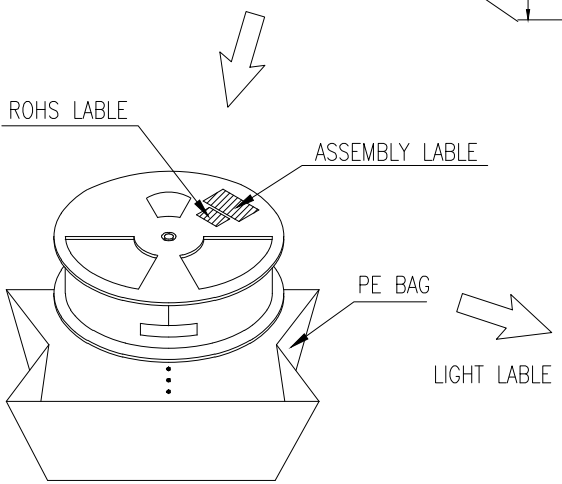
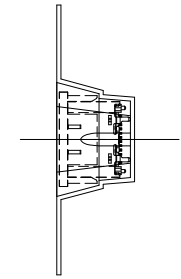
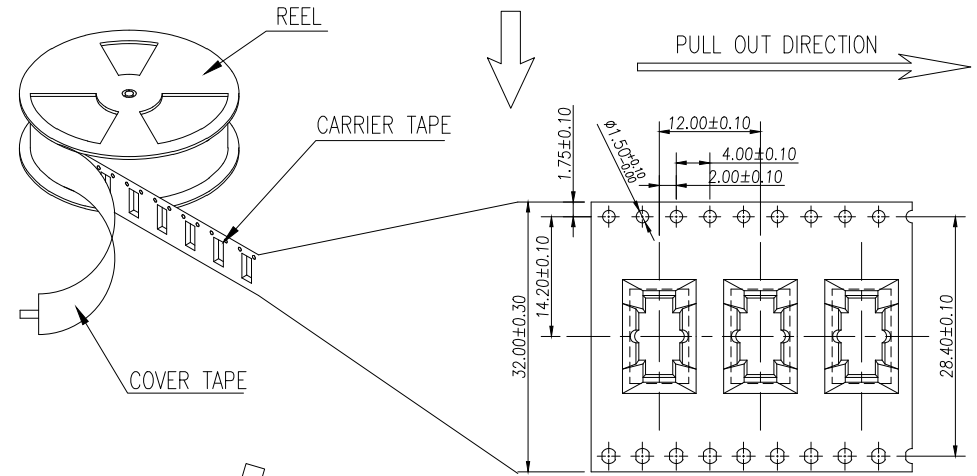
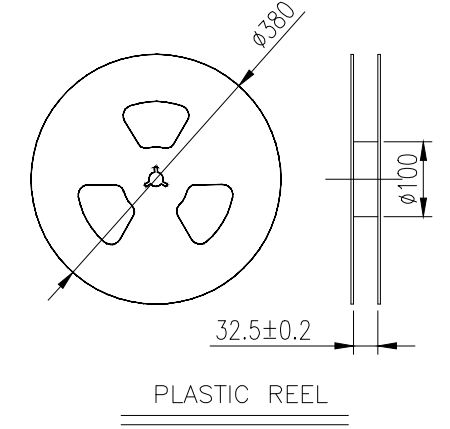
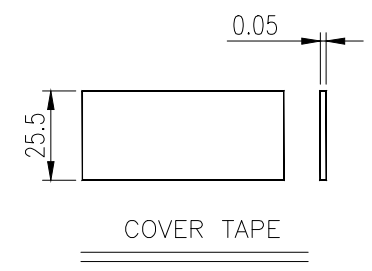
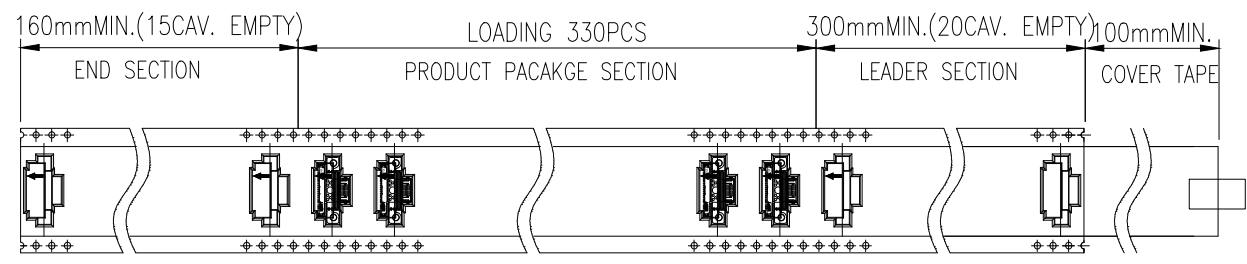
PIN ASSIGNMENT

Pin	Signal Name	Pin	Signal Name	Pin	Signal Name	Pin	Signal Name
A1	GND	B12	GND	A7	D-	B6	D+
A2	TX1+	B11	RX1-	A8	SBU1	B5	CC2
A3	TX1-	B10	RX1+	A9	VBUS	B4	VBUS
A4	VBUS	B9	VBUS	A10	RX2-	B3	TX2+
A5	CC1	B8	SBU2	A11	RX2+	B2	TX2+
A6	D+	B7	D-	A12	GND	B1	GND

NO.	DESCRIPTION	QTY.	MATERIAL	FINISHED	FINISHED
6	CAP	1 PCS	PLASTIC	UL94V-0	
5	MID PLATE	1 PCS	STAINLESS STEEL	None	
4	CONTACT 2	1 SET	COPPER ALLOY	CONTACT AREA :Au 1u" Min., Ni 30~80u"	
3	CONTACT 1	1 SET	COPPER ALLOY	SOLDER AREA :Matte Tin 50u"Min.,Ni30~80u"	
2	HOUSING	1 PCS	PLASTIC	UL94V-0	
1	SHELL	1 PCS	STAINLESS STEEL	Ni 50~100u"	

GENERAL TOLERANCE		DWG NO.	APPD:		Scale	1:1
X. ± 0.45	x. $\pm 5^\circ$	Title	USB TYPE C FEMALE, VERTICAL TYPE SHELL H6.50mm	CHKD:	UNIT	mm
.X ± 0.35	.x $\pm 2^\circ$			DR:		
.XX ± 0.25	.xx $\pm 1^\circ$	Part NO.	JYS-USB650-103	Date	2018/09/23	
.XXX ± 0.15	.xxx $\pm 0.5^\circ$			JYSCONN Shenzhen		
SHEET	2/3	JYSCONN Electronics Co., LTD.				

REV.	ECN.NO.	MODIFY.CONTENT	DATE
A0		NEW	2018/09/23



NOTES 2:

1. MATERIAL:
 - 1.1 REEL AND AXLE: PS,BLUE
 - 1.2 CARRIER TAPE: PET, LUCID
 - 1.3 COVER TAPE: PS,TRANSPARENT
 - 1.4 SHIPPING CARTON: CORRUGATED FIBER
2. DIMENSION:
 - 2.1 REEL: W=32.5, φA=380
 - 2.2 CARRIER TAPE: T=0.50 W=32.0
 - 2.3 COVER TAPE: T=0.05 W=25.5
 - 2.4 SHIPPING CARTON: L=386mm, W=386mm, H=425mm
3. QUANTITY :
 - 3.1 PRIMAY PACKING: 880PCS/REEL
 - 3.2 SECONDARY PACKING: 10 REELS/CARTON(8800PCS/CARTON)
4. PEELING RESISTANCE: 0.1~1.3N
 - 4.1 PEELING SPEED: 300mm/minutes
 - 4.2 PEELING ANGLE: 165° ~180°

GENERAL TOLERANCE		DWG NO.	APPD:	Scale	1:1	
X.±0.45	x.*±5°	Title	USB TYPE C FEMALE,VERTICAL TYPE SHELL H6.50mm 包装图	CHKD:	UNIT	mm
.X±0.35	.x.*±2°			DR:		
.XX±0.25	.xx.*±1°	Part NO.	JYS-USB650-103	Date		2018/09/23
.XXX±0.15	.xxx.*±0.5°	Shenzhen		JYSCONN Electronics Co., LTD.		
SHEET	3/3					