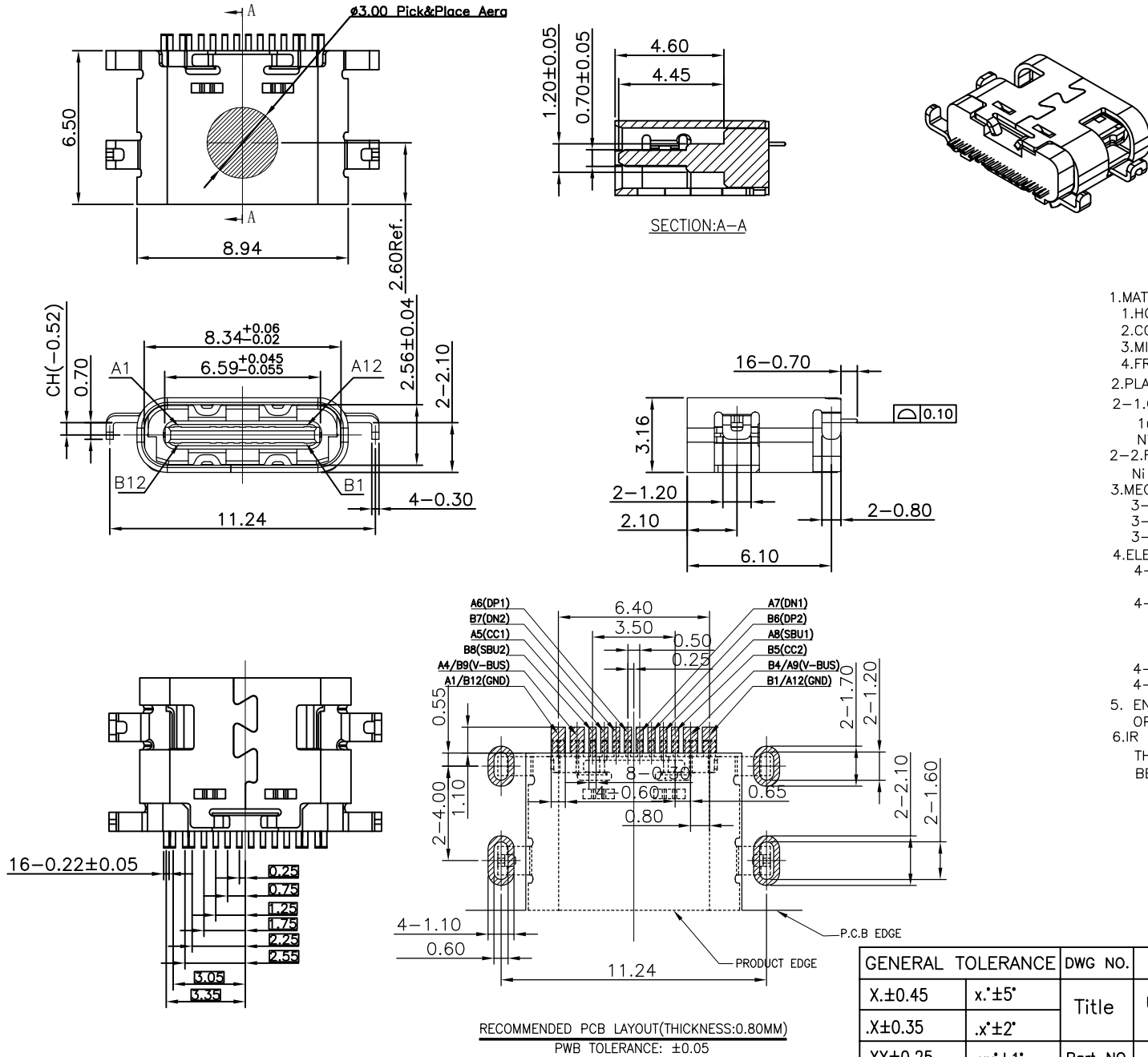


REV.	ECN.NO.	MODIFY.CONTENT	DATE
A0		NEW	2018/05/17



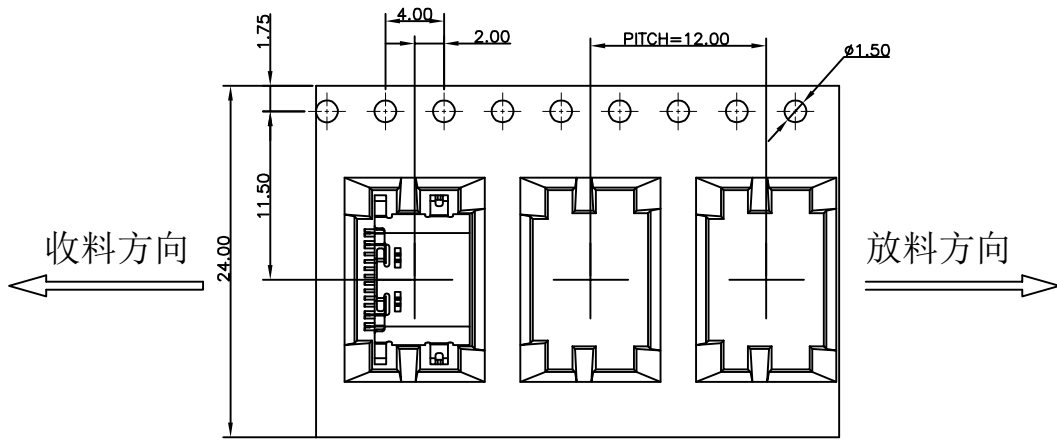
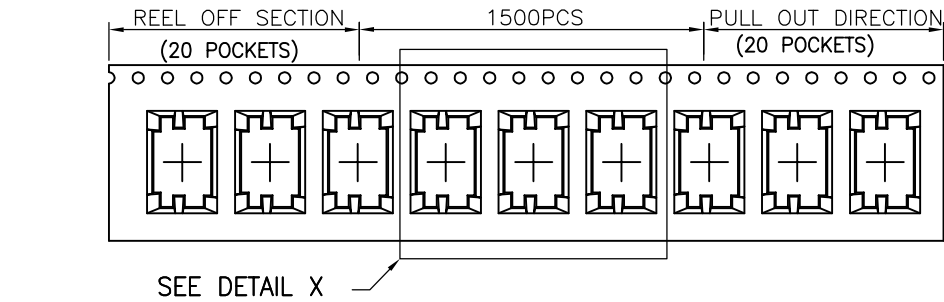
- MATERIAL SPECIFICATION:
 - HOUSING: HIGH TEMPERATURE RESISTANT PLASTIC, UL94 V-0.
 - CONTACTS: COPPER ALLOY
 - MID PLATE: STAINLESS STEEL
 - FRONT SHELL: STAINLESS STEEL
- PLATING SPECIFICATION:
 - CONTACTS:
 - 1u" Au PLATED ON THE FUNCTIONAL AREA OF CONTACT. Ni 50u" MIN. UNDER PLATED OVER ALL.
 - FRONT SHELL:
 - Ni 30u" MIN. UNDER PLATED OVER ALL.
- MECHANICAL PERFORMANCE,
 - INSERTION FORCE: 0.5~2.0kgf.
 - REMOVAL FORCE: 0.8kgf~2.0kgf.
 - DURABILITY: 10000 CYCLES.
- ELECTRICAL PERFORMANCE,
 - CURRENT RATING: 3A~5A
VOLTAGE RATING: 5V
 - LLCR:
 - VBUS & GND PINS AND OTHER PINS: 40mΩ/PIN MAX. SHIELD: 50mΩ/MAX. LLCR MAX. CHANGE OF ALL PINS: 10mΩ.
 - INSULATION RESISTANCE: 100MΩ MIN
 - DIELECTRIC WITHSTAND VOLTAGE, AC 100V FOR 1 MINUTE.
- ENVIRONMENTAL PERFORMANCE:
 - OPERATING TEMPERATURE: -25°C~+85°C.
- IR REFLOW:
 - THE PEAK TEMPERATURE ON THE BOARD SHALL BE MAINTAINED FOR 10 SECONDS AT 260°C.

GENERAL TOLERANCE		DWG NO.	JYSA180517	APPD:	WIND	Scale	1:1
X.±0.45	x.±5°	Title	USB CF 16PIN (L=6.5) MID MOUNT 2.10	CHKD:		UNIT	mm
X.±0.35	.x.±2°			DR:			
.XX±0.25	.xx'±1°	Part NO.	JYS-USB210-051	Date	2018/05/17		
.XXX±0.15	.xxx'±0.5°						
SHEET	1/2			JYSCONN Shenzhen JYSCONN Electronics Co., LTD.			

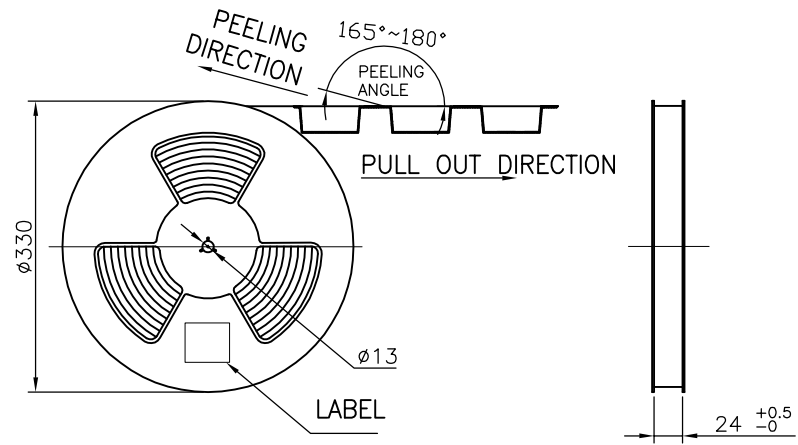
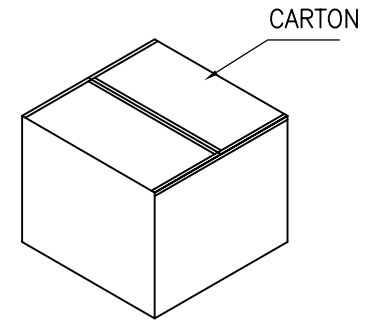
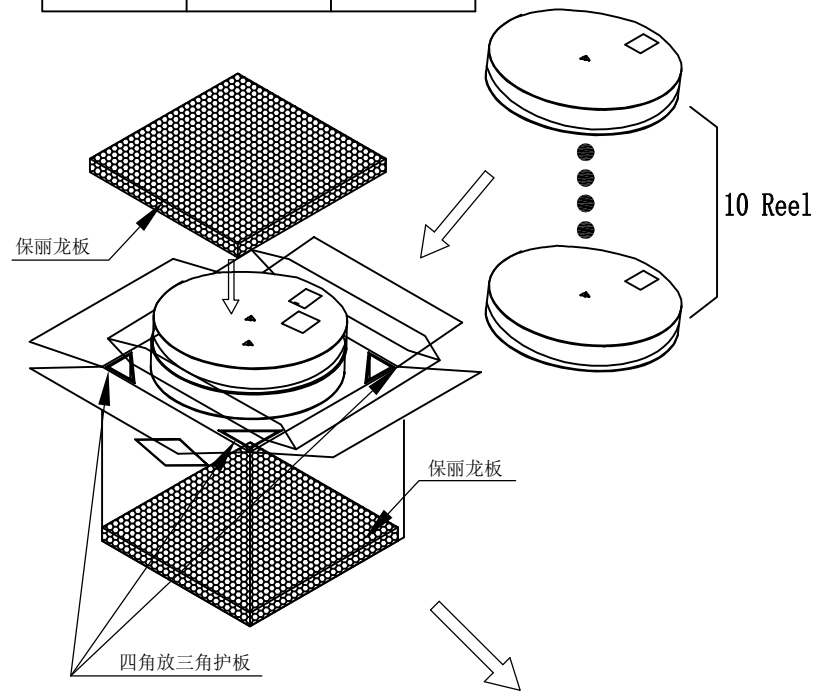
REV.	ECN.NO.	MODIFY.CONTENT	DATE
A0		NEW	2018/05/17

<TABLE 1> PACKAGING QUANTITY

QTY/REEL	REEL/CARTON	QTY/CARTON
1500	10	15000



<图三>



备注:

- 依<图一>示放置产品于Carrier tape中, 每穴放置1PCS产品, Carrier tape卷绕时, 前端和尾端各需预留15PCS空格.
- Cover tape覆盖Carrier tape前端需超出240mmMIN, 后端需留出240mmMIN, 两端都以美文胶贴固.
- 包装机包好后, 在Reel的个等分点上贴胶布, 以防止REEL张开, 每REEL贴1PCS标签, 如<图二>示
- 包装数量见如<TABLE 1>示
- 包装成箱见如<图三>示
箱底放保利龙板, 10个 REEL盘, 放入箱内, 四角各放一个三角护板, 最上层再放上保利龙板.
- 封箱, 在封好的纸箱侧面中间位置贴上出货标签.

GENERAL TOLERANCE		DWG. NO.	APPD:	WIND	Scale	2:1
X.±0.30	x.'±5'	Title	CHKD:		UNIT	mm
.X±0.15	.x'±2'		DR:			
.XX±0.05	.xx'±1'	Part NO.	Date	2018/05/17		
.XXX±0.02	.xxx'±0.5'					
SHEET	2/2	JYSCONN Shenzhen JYSCONN Electronics Co., LTD.				